



Parts Manual

Model T675A Engine Brakes

**For Mack
6 Cylinder, 2 Valve Head
ENDT-673, 675, 676 & E6
Series Engines**

TecBrake
P.O. Box 27822
Houston, Texas 77227

**TecBrake Engine Brake
Model T675A
For Mack 6 Cylinder, 2 Valve Head
ENDT-673, 675, 676 & E6 Series Engines**

The TecBrake T675A engine Brake may be installed on Mack model ENDT 673, 675, 676 and E6 six cylinder, two valve head engines. These engines, although similar, were produced with variations that affect the components required to make an engine brake installation.

The TecBrake kit includes all of the parts required to make an installation on the most common engine configurations.

Important: Information required to order engine brake kits.

Determine if the engine has an engine mounted intercooler. If it does, an optional Air to Air Adapter Group (TJ010174) is required to complete the installation.

Determine if a Robert Bosch fuel pump is installed. An optional fuel pump switch bracket and actuating arm are required for all engines equipped with Robert Bosch fuel pumps.

Determine if the engine is turbocharged but not intercooled. An optional turbocharger spacer must be ordered if the engine is turbocharged but not intercooled.

COMPONENTS INCLUDED IN KIT:

The Housing Assemblies (one front and one rear) as well as the Attaching Parts Group will fit on all versions of the engines.

Included in the Attaching Parts Group are two sets of six valve stem caps. One set will fit 0.435 diameter valve stems. The other cap will fit 0.486 diameter valve stems.

The Control Parts Group includes all the electrical components and their mounting brackets. The Control Group is designated to be used with engines equipped with American Bosch fuel pumps.

COMPONENTS NOT INCLUDED IN KIT:

On engines equipped with Robert Bosch fuel pumps, the fuel pump switch is mounted on the air compressor, requiring a different mounting bracket and actuating arm. Two fuel pump switch mounting brackets are available for mounting on either a Bendix or Midland air compressors. See optional parts list for part numbers.

Engines equipped with a turbocharger but no intercooler require an optional air intake manifold spacer (TJ002049).

Engines equipped with chassis mounted intercoolers may require a longer turbocharger lube oil feed line. This may be fabricated on the job or ordered from Mack (Part No. 42QEA4451RB-32)

OPTIONAL FOOT SWITCH:

A foot switch may be used in place of the clutch switch. The clutch switch is included in the brake kit. The foot switch is not included and must be ordered separately.

**ENGINE BRAKE KIT CONTENTS
AND OPTIONAL PARTS**

PART NO.	DESCRIPTION	QTY./ENG.
TB960007	BRAKE KIT, (W/O AIR TO AIR KIT)	
TB940033	KIT,LITERATURE	1
TB940029	HOUSING ASSEMBLY, FRONT	1
TB940030	HOUSING ASSEMBLY, REAR	1
TB940031	ATTACHING PARTS GROUP	1
TB940032	CONTROL GROUP	1
TJ002049	TURBO SPACER	1
TJ003093	BRACKET SWITCH	1
TJ003621	BRACKET SWITCH	1
TJ003622	ARM, SWITCH ACTUATOR	1
TJ012260	FOOT SWITCH (OPTIONAL)	1
TJ011355	FEELER GAUGE (0.030")	

Indented part numbers are included in parts under which they are indented.

HOUSING ASSEMBLY

Part No. TB940029 - Front

Part No. TB940030 - Rear

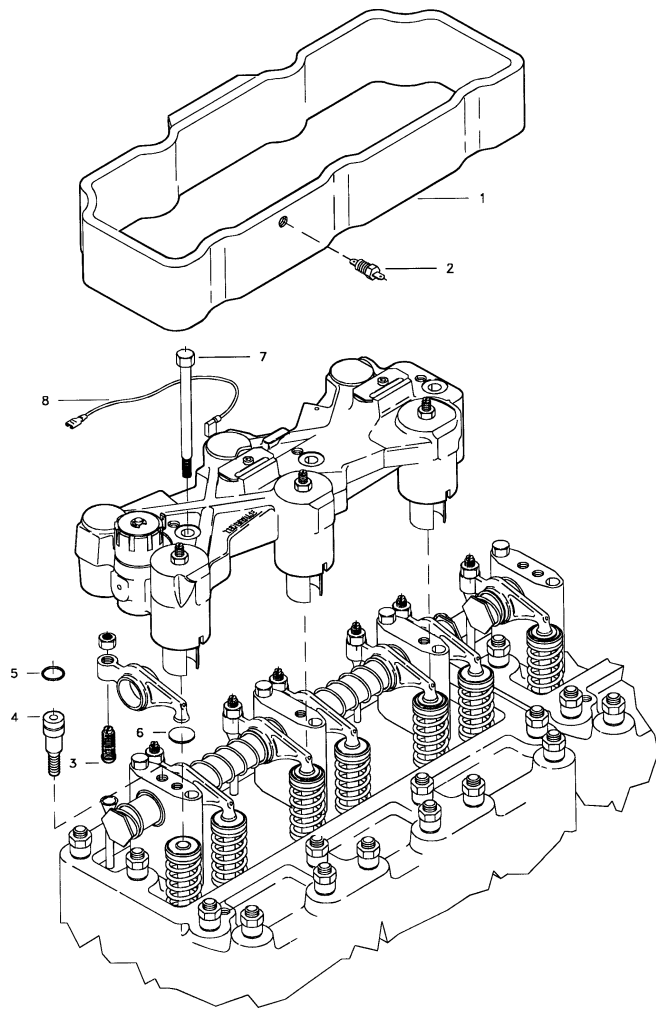
REF.	PART NO.	DESCRIPTION	QTY./HSG.
1	TJ011930	CONTROL VALVE	3
2	TJ011435	SPRING, CTRL. VALVE, INNER	3
3	TJ011434	SPRING, CTRL. VALVE, OUTER	3
4	TJ012757	COVER,CONTROL VALVE	3
5	TJ001492	SCREW, HEX	2
6	TJ016440	SOLENOID VALVE (12 VOLT)	1
7	TJ001081	SEAL RING, UPPER	1
8	TJ001082	SEAL RING, MIDDLE	1
9	TJ001083	SEAL RING, LOWER	1
10	TB909354	NUT, JAM	3
11	TJ013823	SCREW ASSEMBLY, PLUNGER	3
12	TJ012836	MASTER PISTON	3
13	TJ002030	SPRING, FLAT	3
14	TJ003790	SCREW, BUTTON HEAD	3
15	TJ007622	SLAVE PISTON	3
16	TJ007772	SPRING, SLAVE PISTON, INNER	3
17	TJ001288	SPRING, SLAVE PISTON, OUTER	3
18	TJ007620	RETAINER, SPRING	3
19	TJ001023	RING, RETAINER	3

ATTACHING PARTS GROUP

Part No. TB940031

REF.	PART NO.	DESCRIPTION	QTY. ENGINE
1	TJ002035	SPACER, COVER	2
2	TJ002299	TERMINAL ASSEMBLY	2
3	TJ002034	SCREW, ADJUST, EXHAUST	6
4	TJ002033	SCREW, OIL SUPPLY	2
5	TJ002411	O-RING	2
6	TJ009263	CAP, VALVE STEM (0.435")	6
6	TJ002032	CAP, VALVE STEM (0.486")	6
7	TJ002031	BOLT, ROCKER SHAFT BRKT	6
8	TJ015843	HARNES, SOLENOID	2
NI	TK554GB38A	GASKET, COVER/SPACER	4
NI	TK590GB2111A	GASKET, CROSS-OVER	2
NI	TK56AX465	WASHER, FIBER	6

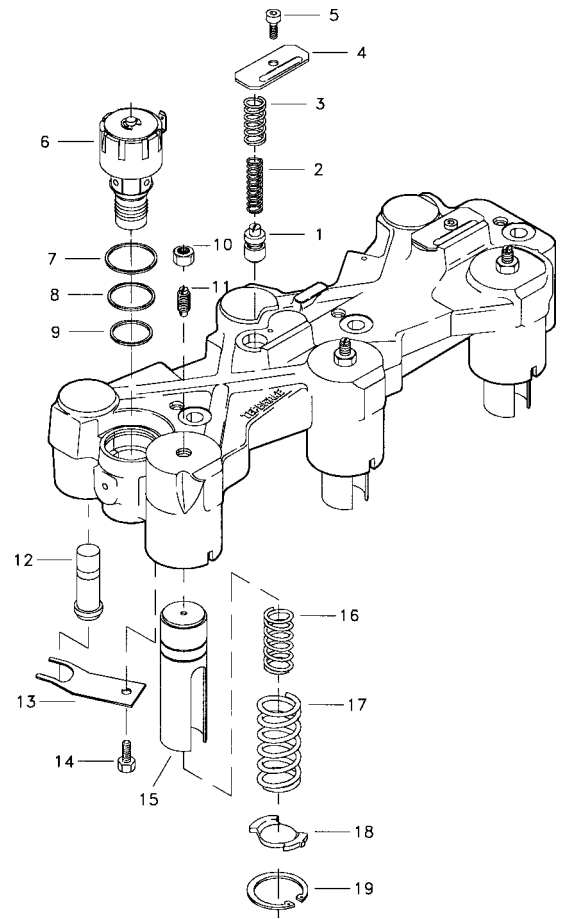
NI.- Not Illustrated.



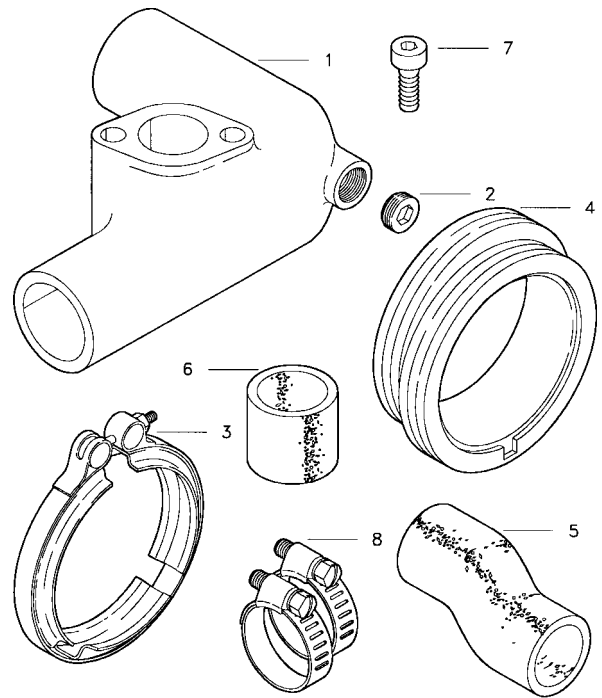
ATTACHING PARTS

AIR TO AIR ADAPTER GROUP
Part No. TJ010174

REF.	PART NO.	DESCRIPTION	QTY./ENGINE
1	TJ010012	MANIFOLD, BREATHER	1
2	TJ010832	PLUG, PIPE	1
3	TJ003835	CLAMP, V-BAND	1
4	TJ003832	SPACER, OFFSET	1
5	TJ003833	HOSE, OFFSET, AIR INLET	1
6	TJ006821	HOSE, COUPLING	1
7	TJ004563	SCREW, BUTTON HEAD	1
8	TJ006827	CLAMP, HOSE ASSEMBLY	2



HOUSING ASSEMBLY



AIR TO AIR ADAPTER KIT

CONTROL GROUP
Part No. TB9400032

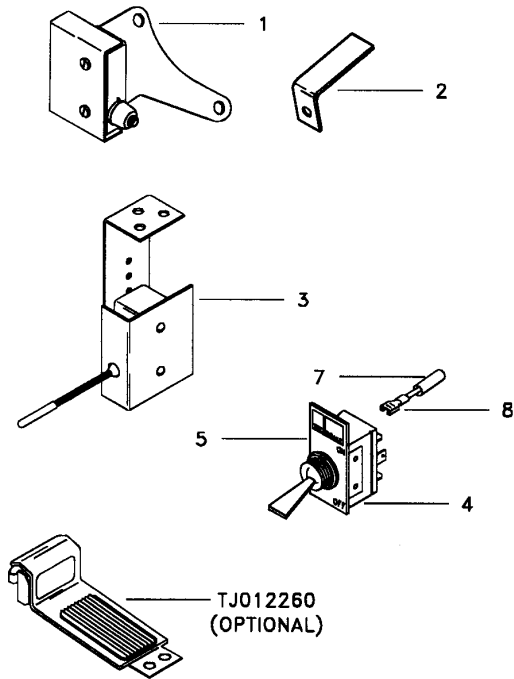
For use with American Bosch fuel pump

REF.	PART NO.	DESCRIPTION	QTY./ENGINE
1	TJ012724	SWITCH ASSY., FUEL PUMP	1
	TJ001534	DIODE	1
	TJ018188	SWITCH (BARE FOR TJ012724)	1
2	TJ012413	ARM, SWITCH ACTUATOR	1
3	TJ012261	SWITCH ASSEMBLY, CLUTCH	1
	TB901216	SWITCH (BARE, FOR TJ012261)	1
4	TJ001304	SWITCH, TOGGLE, DASH	2
5	TJ001305	PLATE, SWITCH (ON-OFF)	2
6	TJ015759	HARNESS, FUSE HOLDER	1
7	TJ003707	SHRINK TUBE	4
8	TJ003278	TERMINAL (FAST-ON)	6
9	TB900007	HARNESS, CAB/ENGINE	1
NI	TJ006833	TIE, CABLE	8
*	TB900001	HARNESS, GROUND	1

Indented part numbers are included in parts under which they are indented.

NI.- Not Illustrated.

* For lighted dash switches only.

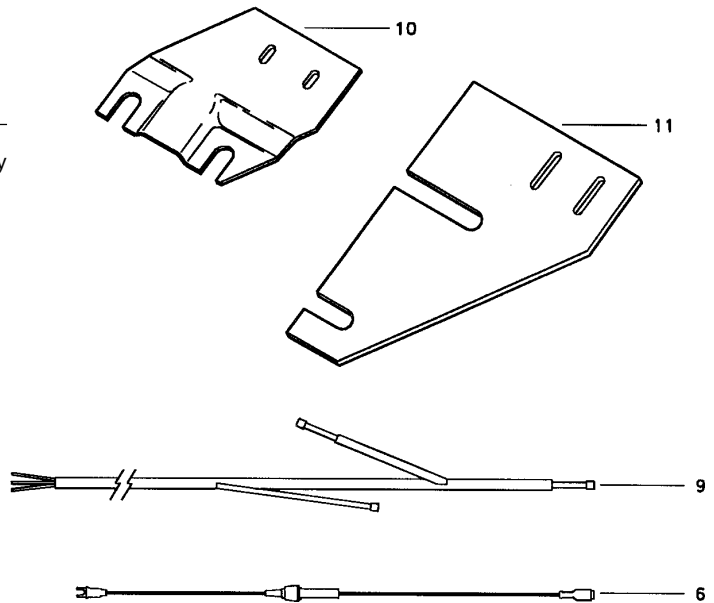


OPTIONAL PARTS REQUIRED FOR ENGINES EQUIPPED WITH A TURBOCHARGER BUT NO INTERCOOLER

TURBOCHARGER SPACER
PART No. TJ002049

OPTIONAL PARTS REQUIRED FOR ENGINES EQUIPPED WITH ROBERT BOSCH FUEL PUMPS

REF. PART NO.	DESCRIPTION	QTY./ENGINE
WITH MIDLAND AIR COMPRESSOR		
10	TJ003093 BRACKET, SWITCH	1
NI	TJ003622 ARM, SWITCH ACTUATOR	1
WITH A BENDIX AIR COMPRESSOR		
11	TJ003621 BRACKET, SWITCH	1
NI	TJ003622 ARM, SWITCH ACTUATOR	1



MAJOR TUNE-UP KIT
Part No. TJ018676

PART NO.	DESCRIPTION	QTY./KIT
TJ015843	HARNESS, SOLENOID	2
TJ002030	SPRING, FLAT	6
TJ011930	CONTROL VALVE	6
TJ002299	TERMINAL	2
TJ011435	SPRING, CTRL. VALVE., INNER	6
TJ001722	CAPSCREW, BUTTON HEAD	4
TJ011434	SPRING, CTRL. VALVE, OUTER	6
TJ001492	CAPSCREW (675A, T675A)	4
TJ001081	SEAL RING, UPPER	2
TJ001082	SEAL RING, MIDDLE	2
TJ001083	SEAL RING, LOWER	2
TJ002411	O-RING	2
TJ003790	CAP SCREW, BUTTON HEAD	6
TJ001023	RING, RETAINING	6
TJ012757	COVER, CONTROL VALVE	4
TJ004490	TERMINAL	2