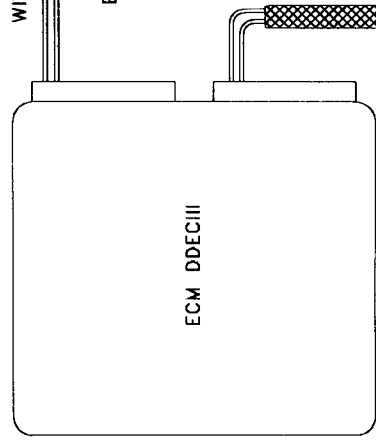


ECM ENGINE SENSOR HARNESS
CONNECTOR DDEC P/N 12034400
TERMINAL DDEC P/N 12103881

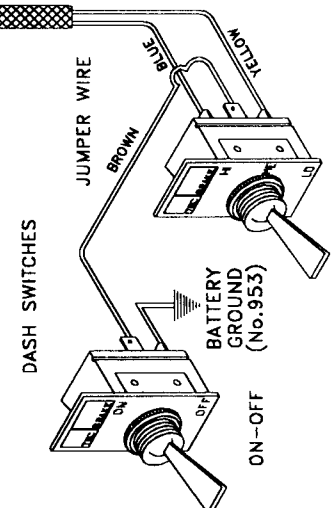
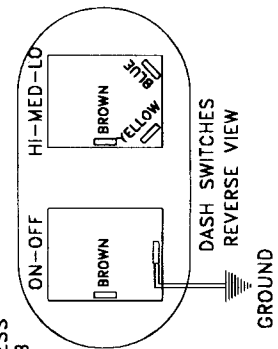
DDEC WIRE 562	DDEC CAVITY T3	DDEC COLOR ORANGE
DDEC WIRE 561	DDEC CAVITY S3	DDEC COLOR RED

SHIPPED WITH ENGINE
ENGINE SENSOR HARNESS

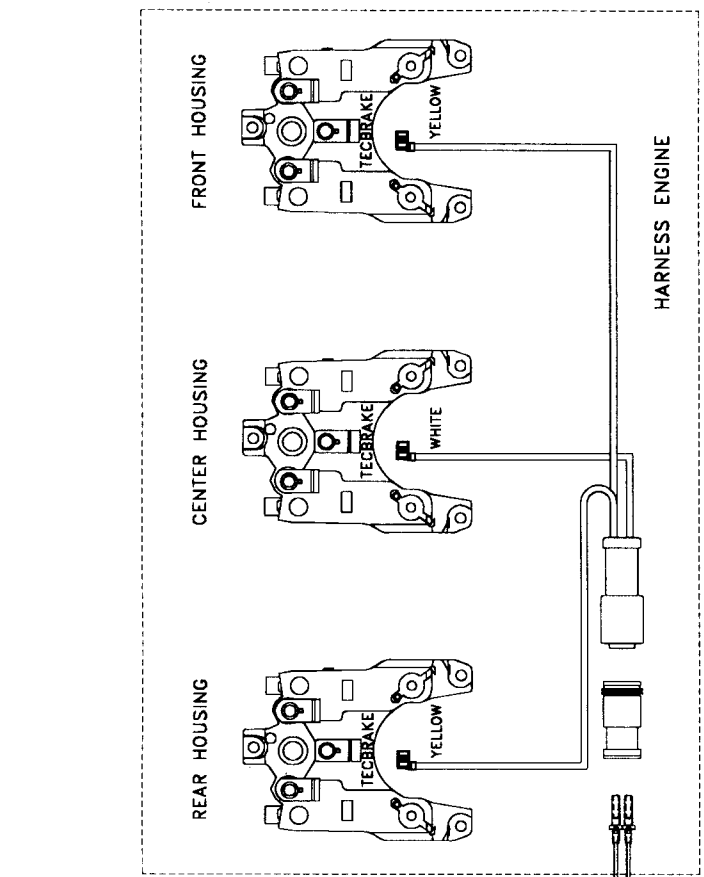


VEHICLE INTERFACE HARNESS

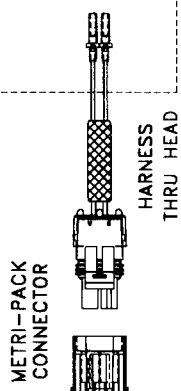
(OPTIONAL) HARNESS CAB



BATTERY GROUND (No.953)

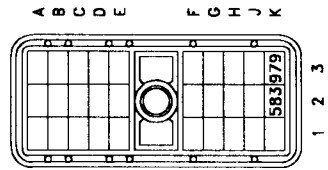


HARNESS ENGINE



METRI-PACK CONNECTOR

HARNESS THRU HEAD



ECM VEHICLE HARNESS
CONNECTOR DDEC P/N 12034398
CONNECTOR DDEC P/N 12103881

DDEC WIRE 583	DDEC CAVITY K2	DDEC LABEL DIGITAL INPUT	DDEC COLOR CODE YELLOW
DDEC WIRE 979	DDEC CAVITY K3	DDEC LABEL DIGITAL INPUT LOW	DDEC COLOR CODE BLUE

TEC BRAKE T765A & T760A WIRING DIAGRAM
FOR DETROIT DIESEL SERIES 60 DDEC III