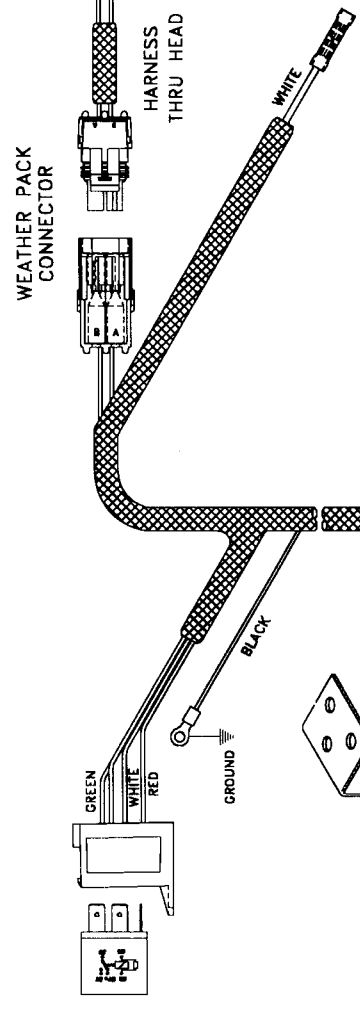
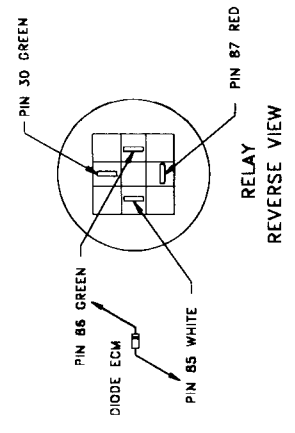
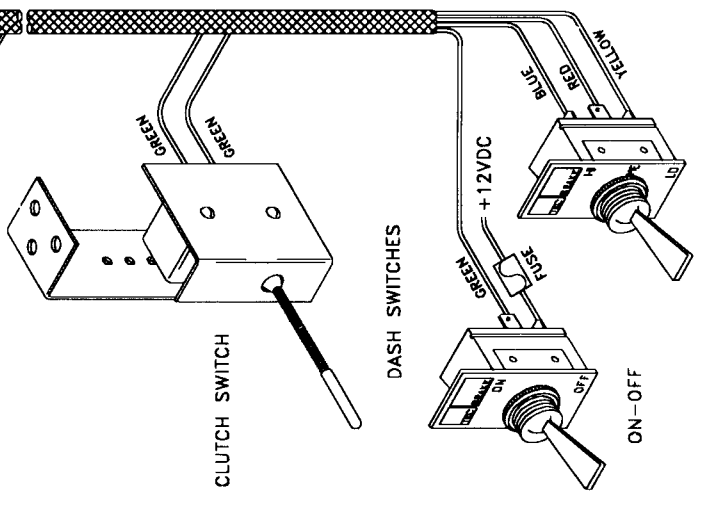
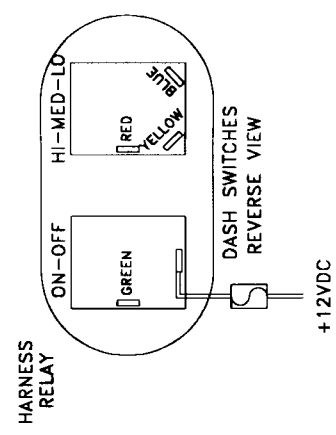


ECM VEHICLE HARNESS
CONNECTOR DDEC P/N 12034398
TERMINAL DDEC P/N 12103881



TO #50B WIRE
DDEC CAVITY A1



TECBRAKE T765A & T760A WIRING DIAGRAM
FOR DETROIT DIESEL SERIES 60 DDEC II