



# Parts Manual

**Model T455B/C Engine Brakes**

**For Cummins:  
N14 Plus Series Engines**

TecBrake  
P.O. Box 27822  
Houston, Texas 77227

## TecBrake Engine Brake Model T455B/C For Cummins N14 Plus Series Engines

The TecBrake T455B/C engine brake may be installed on popular versions of the Cummins N14 Plus series engine. It can **not** be installed on the Cummins 855, 88NT, 91N14 STC, 91N14 Celect or 94N14 model engines. It should only be installed on engines whose CPL numbers are included in the TecBrake Application Chart. TecBrake Model T455B/C replaces the former Model T455A/B.

### IMPORTANT: Information required to order engine brake kits.

#### ENGINE IDENTIFICATION:

Obtain the engine's CPL number. Refer to the TecBrake Application Guide, which lists all Cummins engines on which the T455B/C engine brake may be installed.

#### ADJUSTING SCREW SELECTION:

The engine CPL number determines which adjusting screws are required for the installation. It is important that the proper adjusting screws be selected and installed. Use of the wrong screws or an incorrect lash adjustment may cause improper brake operation and engine damage.

#### ADJUSTING SCREWS INCLUDED IN KIT:

The T455B/C engine brake kit (Part No. TB960021) is shipped with adjusting screws (part No. TB900032, color code "orange") already installed in the brake housings. This configuration is correct for some installations.

Six additional adjusting screws (Part No. TB900039, color code "purple") are included in the Housing Assembly. If Application Guide specifies "purple" adjusting screws, they must be installed in place of "orange" screws over the exact same location. **DO NOT** exchange or mix selected adjusting screws within cylinders.

The two adjusting screw part numbers included in the engine brake kit cover all engine configurations.

#### APPLICATION CHART

CPL NO.	ENGINE MODEL	ADJUSTING SCREW	
		PART NO.	COLOR
2025	N14 435 ESP Plus	TB900032	Orange
2026	N14 370 ESP Plus	TB900032	Orange
2027	N14 330 ESP Plus	TB900032	Orange
2389	N14 330 ESP Plus	TB900039	Purple
2390	N14 370 ESP Plus	TB900032	Orange
2391	N14 435 ESP Plus	TB900032	Orange
2398	N14 370/460E Plus	TB900032	Orange
2590	N14 330 ESP Plus	TB900039	Purple
2591	N14 370 ESP Plus	TB900032	Orange
2592	N14 435 ESP Plus	TB900032	Orange

## ENGINE BRAKE KIT CONTENTS AND OPTIONAL PARTS

PART NO.	DESCRIPTION	QTY./ENG.
TB960021	BRAKE KIT, W/OUT CTRL. GRP.	
TB940067	KIT, LITERATURE	1
TB940068	HOUSING ASSEMBLY	3
TB940006	ATTACHING PARTS GROUP	1
<hr/>		
TB900003	FEELER GAUGE (0.023")	

Indented part numbers are included in parts under which they are indented.

#### ADJUSTING SCREW

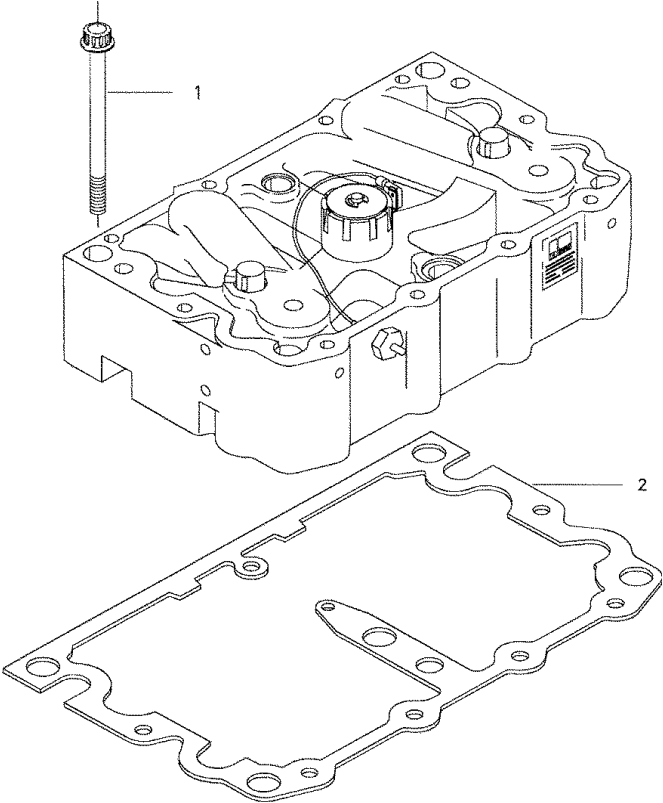
SCREW PART NO.	QTY/ HSG.	COLOR CODE	LASH SETTING
TB900032	2	Orange	0.023"
TB900023	2	Purple	0.023"

#### MODEL T455B/C HOUSING ASSEMBLY Part No. TB940068

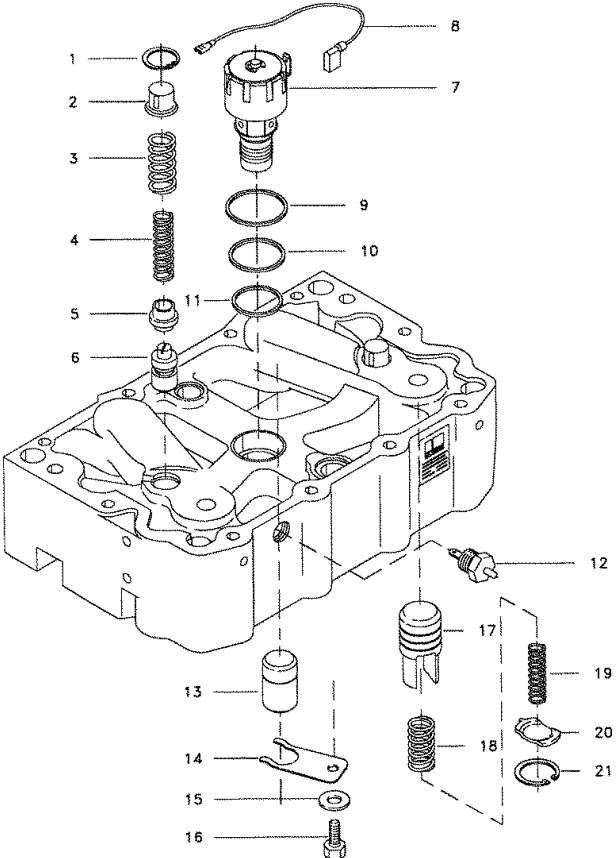
REF.	PART NO.	DESCRIPTION	QTY/HSG.
1	TJ011284	RING, RETAINER	2
2	TJ011252	COVER, CONTROL VALVE	2
3	TJ011253	SPRING, CTRL. VALVE, OUTER	2
4	TJ007500	SPRING, CTRL. VALVE, INNER	2
5	TJ011251	COLLAR, CONTROL VALVE	2
6	TJ011930	CONTROL VALVE	2
7	TB900032	ADJUSTING SCREW (ORANGE)	2
8	TB909354	NUT, JAM	2
9	TJ016440	SOLENOID VALVE (12 VOLT)	1
10	TJ014619	HARNESS, SOLENOID	1
11	TJ001081	SEAL RING, UPPER	1
12	TJ001082	SEAL RING, MIDDLE	1
13	TJ001083	SEAL RING, LOWER	1
14	TB917366	TERMINAL ASSEMBLY	1
15	TB900025	MASTER PISTON (3/4")	2
16	TJ018792	SPRING, FLAT	2
17	TJ001030	WASHER, PLAIN	2
18	TJ001492	CAPSCREW	2
19	TB900024	SLAVE PISTON ASSEMBLY	2
20	TB900026	SPRING, SLAVE PISTON, OUTER	2
21	TB900027	SPRING, SLAVE PISTON, INNER	2
22	TB924849	RETAINER, SPRING	2
23	TB902023	RING, RETAINER	2

**ATTACHING PARTS GROUP**  
**Part No. TB940006**

REF.	PART NO.	DESCRIPTION	QTY./ENG.
1	TJ016828	SCREW (12 PT.)	18
2	TJ016846	GASKET, BRAKE	3



**ATTACHING PARTS**



**HOUSING ASSEMBLY**

**CONTROL GROUP- CELECT ENGINES**  
**Part No. TB940060**

REF.	PART NO.	DESCRIPTION	QTY./ENG.
1	TJ019408	SWITCH,DASH (GOLD )	2
2	TJ001305	PLATE, SWITCH, ON-OFF	2
3	TJ003278	TERMINAL (FAST ON)	5
4	TJ020800	HARNESS, ENGINE	1
NI	TJ006833	TIE, CABLE	8

Control Group not included in T455B Kit; must be ordered separately  
 Indented part numbers are included in the parts under which they are indented.  
 NI.- Not Illustrated.

**MAJOR TUNE-UP KIT**  
**Part No. TJ019305**

PART NO.	DESCRIPTION	QTY./KIT
TJ001030	WASHER, PLAIN	6
TJ001081	SEAL, RING UPPER	3
TJ001082	SEAL RING, MIDDLE	3
TJ001083	SEAL RING, LOWER	3
TJ001492	CAPSCREW	6
TJ011251	COLLAR, CONTROL VALVE	6
TJ011253	SPRING, CTRL. VALVE, OUTER	6
TJ007500	SPRING, CTRL. VALVE, INNER	6
TJ014619	HARNESS, SOLENOID	3
TJ017368	HARNESS, SOLENOID	3
TJ018792	SPRING, FLAT T450/T455	6
TJ017412	SPRING, FLAT (440, 440A)	6
TB900028	SPRING, FLAT (T440/A)	6
TJ011930	CONTROL VALVE	6
TJ016846	GASKET, BRAKE	3
TJ011284	RING, RETAINING	6
TJ011252	COVER, CONTROL VALVE	6

