



Parts Manual

Model T440/A Engine Brakes

**For Cummins
91N14 Series Engines**

TecBrake
P.O. Box 27822
Houston, Texas 77227

TecBrake Engine Brake Model T440/A For Cummins 91N14 Series Engines

The TecBrake T440/A engine brake may be installed on popular versions of the Cummins 91N14 series engine. It can **not** be installed on the Cummins 855, 88NT, 94N14 model engines. It should only be installed on engines whose CPL numbers are included in the TecBrake Application Guide. TecBrake Model T440/A replaces the former Model T140A.

IMPORTANT: Information required to order engine brake kits.

ENGINE IDENTIFICATION:

Obtain the engine's CPL number. Refer to the TecBrake Application Guide which lists all Cummins engines on which the T440/A engine brake may be installed.

BASIC KIT FOR BOTH STC AND CELECT ENGINES:

Determine whether the engine is a STC model with the PT fuel system, or a CELECT version with electronic fuel injection. The TecBrake application guide identifies the type by the CPL number. Depending on the engine type, a different Control Group will be required.

OPTIONAL FOOT SWITCH:

A foot switch may be used in place of the clutch switch. The clutch switch is included in the brake kit. The foot switch is not included and must be ordered separately.

ENGINE BRAKE KIT CONTENTS AND OPTIONAL PARTS

PART NO.	DESCRIPTION	QTY./ENG.
TB960019	BRAKE KIT, W/OUT CTRL. GRP.	
TB940065	KIT,LITERATURE	1
TB940063	HOUSING ASSEMBLY	3
TB940006	ATTACHING PARTS GROUP	1
TJ012260	FOOT SWITCH (OPTIONAL)	1
TB900003	FEELER GAUGE (0.023")	

Indented part numbers are included in parts under which they are indented.

ADJUSTING SCREW

SCREW PART NO.	QTY/ HSG.	COLOR CODE	RECESS DEPTH
TB934916	2	WHITE	0.028"

Same adjusting screw for 91N14 STC and Celect applications.

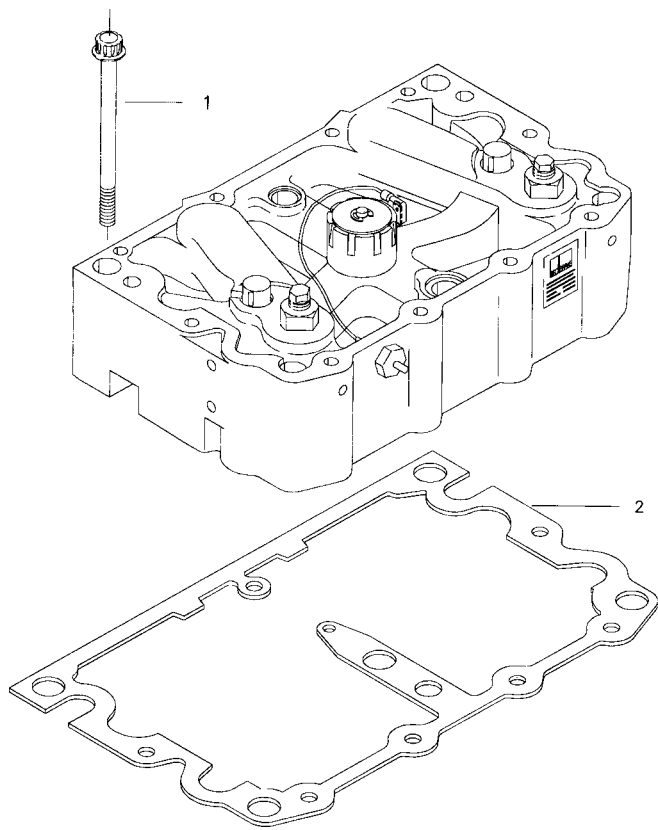
MODEL T440/A HOUSING ASSEMBLY Part No.TB940063

REF.	PART NO.	DESCRIPTION	QTY/HSG.
1	TJ011284	RING, RETAINER	2
2	TJ011252	COVER, CONTROL VALVE	2
3	TJ011253	SPRING, CTRL. VALVE, OUTER	2
4	TJ007500	SPRING, CTRL. VALVE, INNER	2
5	TJ011251	COLLAR, CONTROL VALVE	2
6	TJ011930	CONTROL VALVE	2
7	TB934916	ADJUSTING SCREW (WHITE)	2
8	TB909354	NUT, JAM	2
9	TJ016440	SOLENOID VALVE (12 VOLT)	1
10	TJ014619	HARNESS, SOLENOID	1
11	TJ001081	SEAL RING, UPPER	1
12	TJ001082	SEAL RING, MIDDLE	1
13	TJ001083	SEAL RING, LOWER	1
14	TB917366	TERMINAL ASSEMBLY	1
15	TB900029	MASTER PISTON (13/16")	2
16	TB900028	SPRING, FLAT	2
17	TJ001030	WASHER, PLAIN	2
18	TJ001492	CAPSCREW	2
19	TB934864	SLAVE PISTON ASSEMBLY	2
20	TB924867	SPRING, SLAVE PISTON, OUTER	2
21	TB924868	SPRING, SLAVE PISTON, INNER	2
22	TB924849	RETAINER, SPRING	2
23	TB902023	RING, RETAINER	2

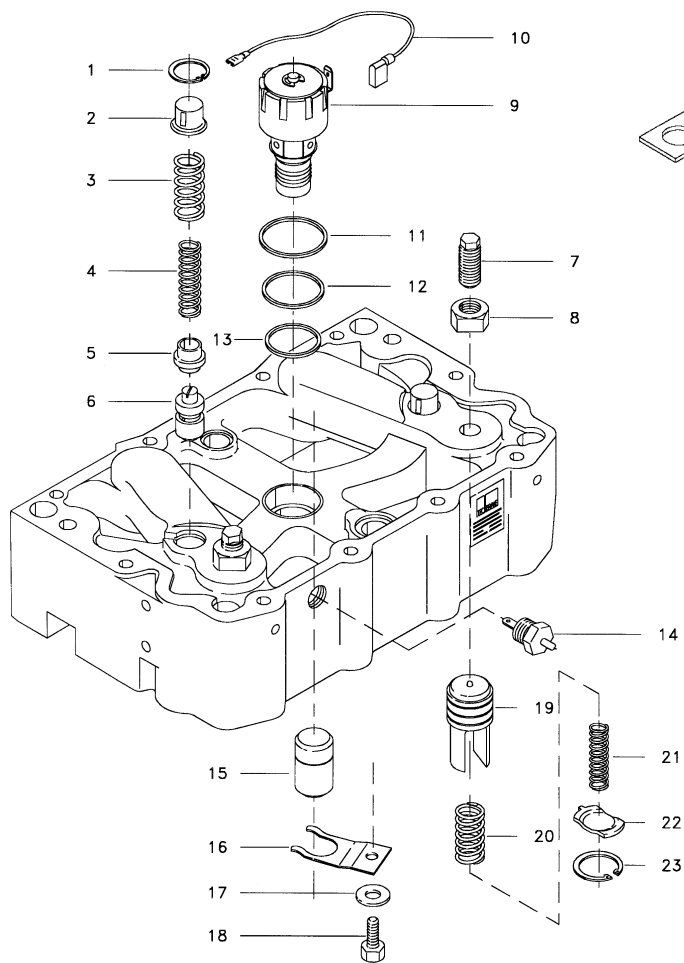
ATTACHING PARTS GROUP

Part No. TB940006

REF.	PART NO.	DESCRIPTION	QTY./ENG.
1	TJ016828	SCREW (12 PT.)	18
2	TJ016846	GASKET, BRAKE	3



ATTACHING PARTS

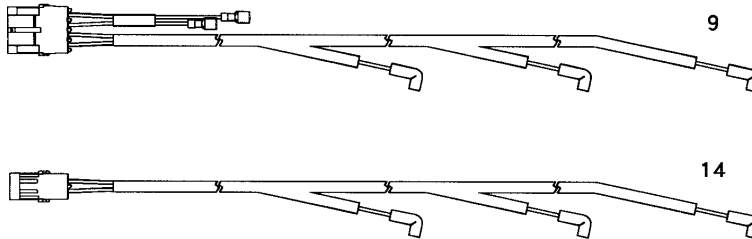


HOUSING ASSEMBLY

CONTROL GROUP- STC ENGINES
Part No. TB940007

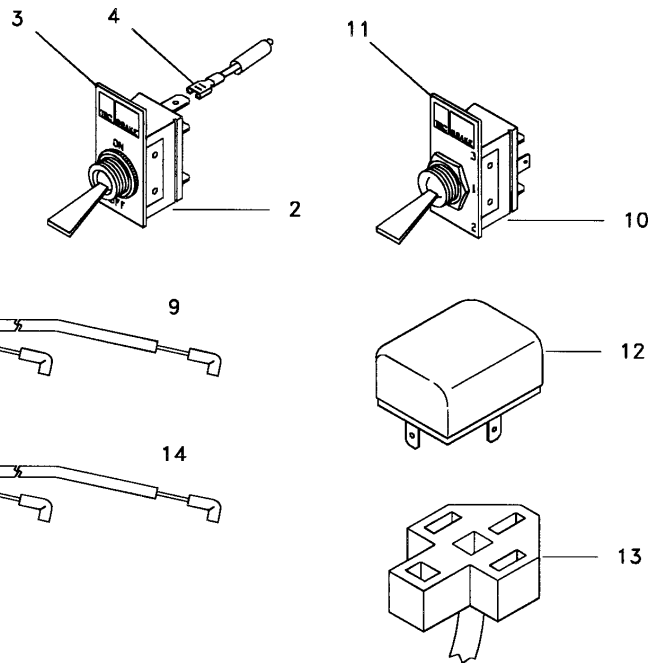
REF.	PART NO.	DESCRIPTION	QTY./ENG.
1	TJ012261	SWITCH ASSEMBLY, CLUTCH	1
	-TB901216	SWITCH (BARE, FOR TJ012261)	1
2	TJ001304	SWITCH, TOGGLE, DASH	2
3	TJ001305	PLATE, ON-OFF	2
4	TJ003278	TERMINAL (FAST ON)	5
5	TJ001219	SWITCH ASSY., FUEL PUMP	1
	-TJ018188	SWITCH (BARE, FOR TJ001219)	1
	-TJ001534	DIODE	1
6	TJ001179	ARM, ACTUATOR	1
7	TJ001181	NUT, 3/8"	1
8	TJ001182	SCREW 3/8"	1
9	TJ018103	HARNESS, ENGINE	1
NI	TJ017504	HARNESS, CAB	1
NI	TJ006833	TIE, CABLE	8
*	TB900001	HARNESS, GROUND	1

Indented part numbers are included in the parts under which they are indented.
NI.- Not Illustrated.
* For lighted dash switches only.



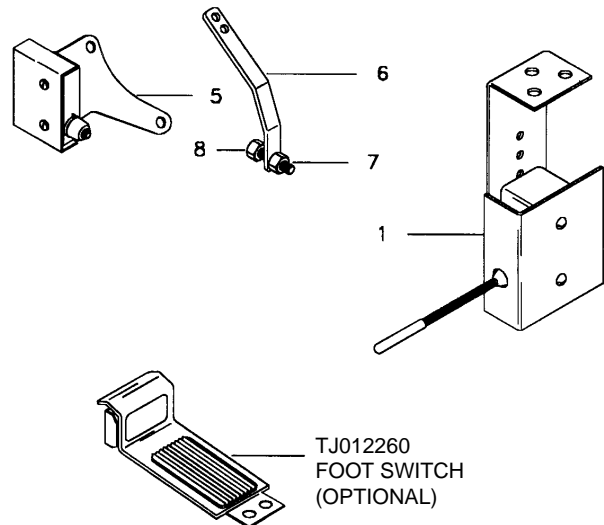
CONTROL GROUP- CELECT ENGINES
Part No. TB940008

REF.	PART NO.	DESCRIPTION	QTY./ENG.
2	TJ016264	SWITCH,DASH (W/GOLD)	1
3	TJ001305	PLATE, SWITCH, ON-OFF	1
4	TJ003278	TERMINAL (FAST ON)	5
10	TJ002957	SWITCH, TOGGLE, 3 POSITION	1
11	TJ002959	PLATE, SWITCH (3-1-2)	1
12	TJ016933	RELAY	1
13	TJ017593	BASE, RELAY, W/HARNESS	1
14	TJ017416	HARNESS, ENGINE	1
NI	TJ018187	HARNESS, SELECTOR SW.	1
NI	TJ006833	TIE, CABLE	8
NI	TJ003707	SHRINK TUBE	5
NI	TJ001534	DIODE	1



MAJOR TUNE-UP KIT
Part No. TJ019305

PART NO.	DESCRIPTION	QTY./KIT
TJ001030	WASHER, PLAIN	6
TJ001081	SEAL, RING UPPER	3
TJ001082	SEAL RING, MIDDLE	3
TJ001083	SEAL RING, LOWER	3
TJ001492	CAPSCREW	6
TJ011251	COLLAR, CONTROL VALVE	6
TJ011253	SPRING, CTRL. VALVE, OUTER	6
TJ007500	SPRING, CTRL. VALVE, INNER	6
TJ014619	HARNESS, SOLENOID	3
TJ017368	HARNESS, SOLENOID	3
TJ018792	SPRING, FLAT T450/T455	6
TJ017412	SPRING, FLAT (440, 440A)	6
TB900028	SPRING, FLAT (T440/A)	6
TJ011930	CONTROL VALVE	6
TJ016846	GASKET, BRAKE	3
TJ011284	RING, RETAINING	6
TJ011252	COVER, CONTROL VALVE	6



Cummins® and Celect® are registered trademarks of Cummins Engine Co. Inc.

Tec Brake Inc. P.O. Box 27822 Houston, Texas 77227

©1998 Tec Brake Bulletin No. TB990165A 11/21/98