



Parts Manual

Model T430A Engine Brakes

**For Cummins
NTC/88NT Series Engines**

TecBrake
P.O. Box 27822
Houston, Texas 77227

TecBrake Engine Brake Model T430A For Cummins NTC/88NT Series Engines

The TecBrake T430A engine brake may be installed on popular versions of the Cummins NTC/88NT series engine. It can **not** be installed on earlier versions of the Cummins NTC series engine which use a different cylinder head configuration. The TecBrake application chart can be used to identify the engine model and determine if the engine is approved for installation of an engine brake.

ENGINE IDENTIFICATION:

Obtain the engine's CPL number. Refer to the TecBrake Application Chart which lists all Cummins engines on which the T430A engine brake may be installed.

ADJUSTING SCREW SELECTION:

The engine CPL number determines which adjusting screws are required for the installation. It is important that the proper adjusting screws be selected and installed. Use of the wrong screws or an incorrect lash adjustment may cause improper brake operation and engine damage.

Refer to the application chart to determine which adjusting screw should be installed in the brake housing.

ADJUSTING SCREWS INCLUDED IN KIT:

The T430A engine brake kit (Part No. 960008) is shipped with adjusting screws (Part No. TB924922, color coded "black") already installed in the brake housings. This configuration is correct for the most common installations.

Six additional adjusting screws (Part No. TB924921, color coded "beige") are included in the Attaching Parts Group (Part Number TB940038). These adjusting screws may be installed in place of the "black" adjusting screws when specified by the application chart.

The two adjusting screw part numbers included in the engine brake kit cover all engine configurations.

OPTIONAL FOOT SWITCH:

A foot switch may be used in place of the clutch switch. The clutch switch is included in the brake kit. The foot switch is not included and must be ordered separately.

ADJUSTING SCREWS

SCREW PART NO.	QTY/HSG.	COLOR CODE	RECESS DEPTH
TB924922	2	BLACK	0.017"
TB924921	2	BEIGE	0.118"

ENGINE BRAKE KIT CONTENTS AND OPTIONAL PARTS

PART NO.	DESCRIPTION	QTY./ENG.
TB960008	BRAKE KIT, COMPLETE	
TB940036	KIT, LITERATURE	1
TB940037	HOUSING ASSEMBLY	3
TB940002	CONTROL GROUP	1
TB940038	ATTACHING PARTS GROUP	1
TJ012260	FOOT SWITCH (OPTIONAL)	1
TB900002	FEELER GAUGE (0.018")	

Indented part numbers are included in parts under which they are indented.

APPLICATION CHART

CPL NO.	ENGINE MODEL	ADJUSTING SCREW	
		PART NO.	COLOR
827	NTC400 88NT	TB924921	BEIGE
838	NTC315 88NT	TB924922	BLACK
840	NTC350 88NT	TB924922	BLACK
910	NTC444 88NT	TB924921	BEIGE
1185	NTC400 88NT	TB924921	BEIGE
1187	FLEET 285 88NT	TB924922	BLACK
1188	NTC350 88NT STC	TB924921	BEIGE
1210	NTC444 88NT STC	TB924921	BEIGE
1211	NTC400 88NT STC	TB924921	BEIGE
1256	NTC444 88NT	TB924921	BEIGE
1280	NTC444 88NT	TB924921	BEIGE
1285	NTC444 88NT	TB924921	BEIGE
1286	NTC444 88NT	TB924921	BEIGE
1352	FLEET 300 88NT	TB924922	BLACK

MODEL T430A HOUSING ASSEMBLY Part No. TB940037

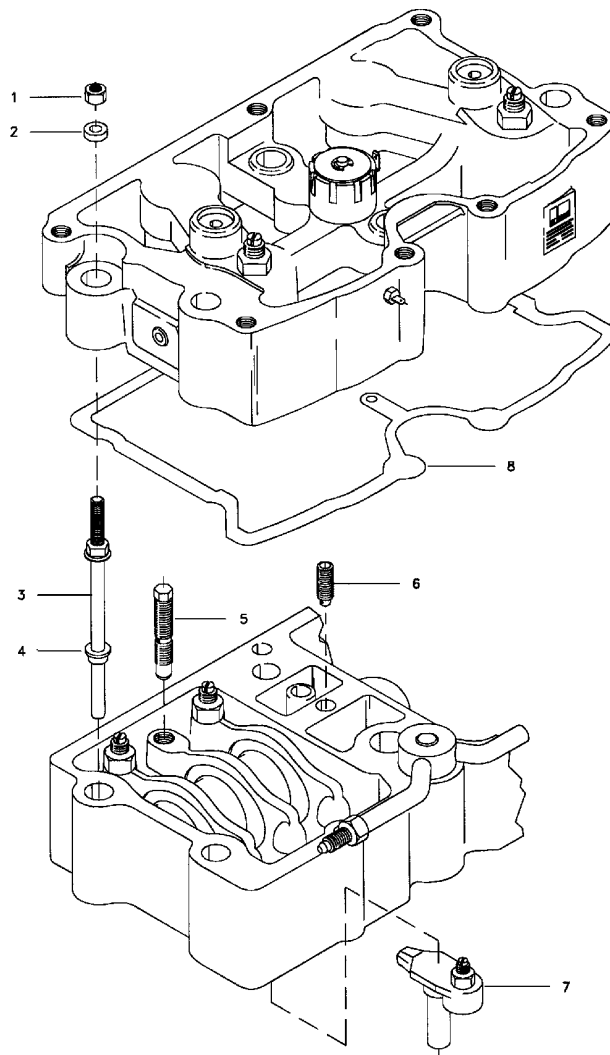
REF.	PART NO.	DESCRIPTION	QTY/HSG.
1	TJ015561	RING, RETAINER	2
2	TJ014928	COVER, CONTROL VALVE	2
3	TJ007500	SPRING, CTRL. VALVE, INNER	2
4	TJ010843	SPRING, CTRL. VALVE, OUTER	2
5	TJ011930	CONTROL VALVE	2
6	TJ016440	SOLENOID VALVE (12 VOLT)	1
7	TJ014619	HARNESS, SOLENOID	1
8	TJ001081	SEAL RING, UPPER	1
9	TJ001082	SEAL RING, MIDDLE	1
10	TJ001083	SEAL RING, LOWER	1
11	TB909354	NUT, JAM	2
12	TB924922	ADJUSTING SCREW (BLACK)	2
13	TJ002299	TERMINAL ASSEMBLY	1
14	TJ001023	RING, RETAINER	2
15	TJ014849	RETAINER, SPRING	2
16	TJ014867	SPRING, SLAVE PISTON	2
17	TB924865	SLAVE PISTON ASSEMBLY	2
18	TJ001030	WASHER, PLAIN	2
19	TJ007447	SPRING, FLAT	2
20	TJ017124	MASTER PISTON (0.688")	2
21	TJ001492	CAP SCREW	2

ATTACHING PARTS GROUP
Part No. TB940038

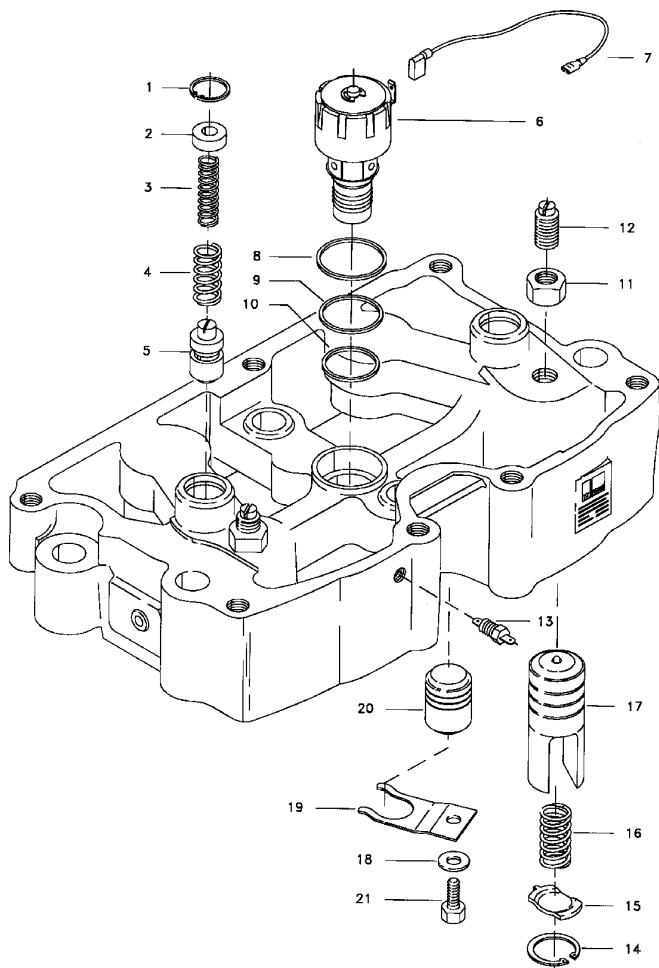
REF. PART NO. DESCRIPTION
QTY/ENG.

1	TJ001094	NUT	18
2	TJ001234	SPACER	3
3	TJ001199	STUD (7")	9
3	TJ001232	STUD (8 1/8")	9
4	TJ002514	WASHER, BEARING	18
5	TJ015829	SCREW INJ. ADJ. (5/8"HEX)	6
6	TJ014927	SCREW, OIL SUPPLY	3
7	TJ016767	CROSSHEAD ASSEMBLY	6
8	TJ014848	GASKET, BRAKE	3
*	TB924921	ADJUSTING SCREW (BEIGE)	6

* Alternate adjusting screw. Refer to Application chart for proper screw.



ATTACHING PARTS



HOUSING ASSEMBLY

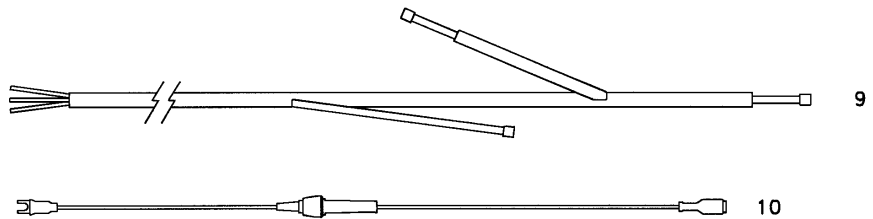
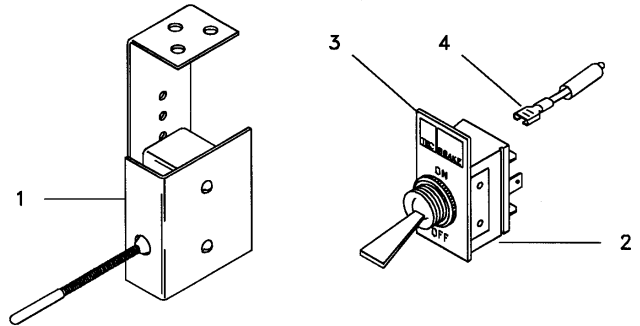
CONTROL GROUP
Part No. TB940002

REF.	PART NO.	DESCRIPTION	QTY./ENG.
1	TJ012261	SWITCH ASSEMBLY, CLUTCH	1
	TB901216	SWITCH (BARE, FOR TJ012261)	1
2	TJ001304	SWITCH, TOGGLE, DASH	2
3	TJ001305	PLATE, ON-OFF	2
4	TJ003278	TERMINAL (FAST ON)	6
5	TJ001219	SWITCH ASSY., FUEL PUMP	1
	TJ018188	SWITCH (BARE, FOR TJ001219)	1
	TJ001534	DIODE	1
6	TJ001179	ARM, ACTUATOR	1
7	TJ001181	NUT, 3/8"	1
8	TJ001182	SCREW, 3/8"	1
9	TJ014196	HARNESS CAB/ENGINE	1
10	TJ015759	HARNESS, FUSE HOLDER	1
NI	TJ006833	TIE, CABLE	10
*	TB900001	HARNESS, GROUND	1

Indented part numbers are included in parts under which they are indented.

NI.- Not Illustrated.

* For lighted dash switches only.



MAJOR TUNE-UP KIT
Part No. TJ017690

PART No.	DESCRIPTION	QTY./KIT
TJ001030	WASHER, PLAIN	6
TJ001081	SEAL, RING UPPER	3
TJ001082	SEAL RING, MIDDLE	3
TJ001083	SEAL RING, LOWER	3
TJ001492	CAP SCREW	6
TJ010843	SPRING, CTRL. VALVE, OUTER	6
TJ007500	SPRING, CTRL. VALVE, INNER	6
TJ017657	TERMINAL ASSY. W/O RING	3
TJ014619	HARNESS, SOLENOID	3
TJ007447	SPRING, FLAT	6
TJ011930	CONTROL VALVE	6
TJ014848	GASKET, BRAKE	3
TJ014928	COVER, CONTROL VALVE	6
TJ015561	RING, RETAINING	6

