



# Parts Manual

**Model T425A Engine Brakes**

**For Cummins  
855 Series Engines**

TecBrake  
P.O. Box 27822  
Houston, Texas 77227

## TecBrake Engine Brake Model T425A For Cummins 855 Series Engines

The TecBrake T425A engine brake may be installed on popular versions of the Cummins 855 series engine. It can **not** be installed on the Cummins 86NT STC, 86NT MVT, 88NT, or 89NT model engines. Although the T425A engine brake kit will fit on all 855 series engines (except the 88/89NT) it should only be installed on engines whose CPL numbers are included in the Application Guide.

**IMPORTANT: Information required to order engine brake kits.**

### ENGINE IDENTIFICATION:

Obtain the engine's CPL number and determine whether the engine has a single or twin entry type turbocharger. Refer to the TecBrake Application Guide which lists all Cummins engines on which the T425A engine brake may be installed.

### ADJUSTING SCREW SELECTION:

The engine CPL number and type of turbocharger installed determine which adjusting screws are required. It is important that the proper adjusting screws be selected and installed. Use of the wrong screws or an incorrect lash adjustment may cause improper brake operation and engine damage.

### ADJUSTING SCREWS INCLUDED IN KIT:

The T425A engine brake kit (Part No. 960001) has adjusting screws (Part No. TB924916, color coded "blue") already installed in the brake housings. This configuration is the most common and is correct for most engines with twin entry type turbochargers.

Six additional adjusting screw (Part No. TB924917, color coded "green") are included in the Attaching Parts Group (Part Number TB940003). These adjusting screws are required for most single entry turbo applications and may be installed in place of the "blue" adjusting screws.

The two adjusting screw part numbers included in the engine brake kit cover the most popular engine configurations.

### OPTIONAL ADJUSTING SCREWS:

Other adjusting screws are available for less common engine configurations. These screws are not included in the kit and must be ordered separately. Use the TecBrake Application Guide to identify these part numbers.

### OPTIONAL FOOT SWITCH:

A foot switch may be used in place of the clutch switch. The clutch switch is included in the brake kit. The foot switch is not included and must be ordered separately.

## ENGINE BRAKE KIT CONTENTS AND OPTIONAL PARTS

PART NO.	DESCRIPTION	QTY./ENG.
TB960001	BRAKE KIT, COMPLETE	
TB940000	KIT, LITERATURE	1
TB940001	HOUSING ASSEMBLY	3
TB940002	CONTROL GROUP	1
TB940003	ATTACHING PARTS GROUP	1
TJ012260	FOOT SWITCH (OPTIONAL)	1
TB900002	FEELER GAUGE (0.018")	

Indented part numbers are included in parts under which they are indented.

### ADJUSTING SCREWS

SCREW PART NO.	QTY/ HSG.	COLOR CODE	RECESS DEPTH
TB924916	2	BLUE	0.009"
TB924917	2	GREEN	0.105"
TB924918	2	YELLOW	0.115"
TB924919	2	RED	0.022"
TJ009916	2	NONE	0.000"

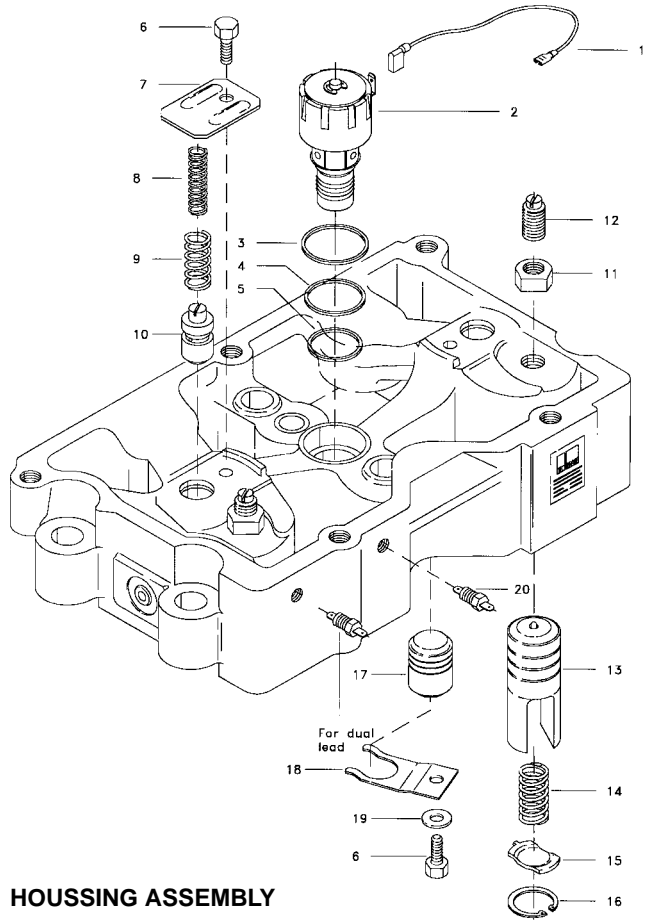
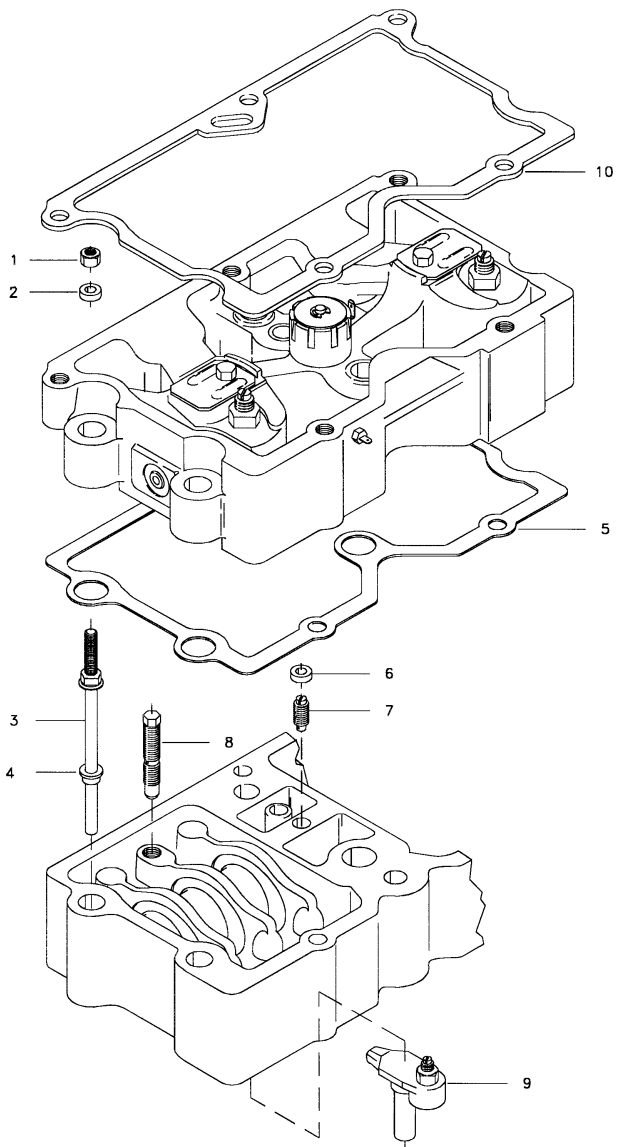
## MODEL T425A HOUSING ASSEMBLY Part No. TB940001

REF.	PART NO.	DESCRIPTION	QTY/HSG.
1	TJ014619	HARNES, SOLENOID	1
2	TJ016440	SOLENOID VALVE (12 VOLT)	1
3	TJ001081	SEAL RING, UPPER	1
4	TJ001082	SEAL RING, MIDDLE	1
5	TJ001083	SEAL RING, LOWER	1
6	TJ001492	CAP SCREW	4
7	TJ004136	COVER, CONTROL VALVE	2
8	TJ007500	SPRING, CTRL. VALVE, INNER	2
9	TJ001519	SPRING, CTRL. VALVE, OUTER	2
10	TJ011283	CONTROL VALVE	2
11	TJ009353	NUT, JAM	2
12	TB924916	ADJUSTING SCREW (BLUE)	2
13	TB924864	SLAVE PISTON ASSEMBLY	2
14	TJ014867	SPRING, SLAVE PISTON	2
15	TJ014849	RETAINER, SPRING	2
16	TJ001023	RING, RETAINER	2
17	TJ016634	MASTER PISTON	2
18	TJ011841	SPRING, FLAT	2
19	TJ001030	WASHER, PLAIN	2
20	TJ002299	TERMINAL ASSEMBLY	1

**ATTACHING PARTS GROUP**  
**Part No. TB940003**

REF.	PART NO.	DESCRIPTION	QTY/ENG.
1	TJ001094	NUT	18
2	TJ001234	SPACER	6
3	TJ001199	STUD (7")	12
3	TJ001232	STUD (8 1/8")	6
4	TJ002514	WASHER, BEARING	18
5	TJ013294	GASKET, BRAKE	3
6	TJ010180	SEAL RING	3
7	TJ002969	SCREW, OIL SUPPLY	3
8	TJ003678	SCREW INJECTOR ADJ. (7/16")	6
9	TJ017548	CROSSHEAD ASSEMBLY	6
10	TJ013756	GASKET, VALVE COVER	3
*	TB924917	ADJUSTING SCREW (GREEN)	6

\* Alternate adjusting screw. Refer to Application Guide for proper screw.

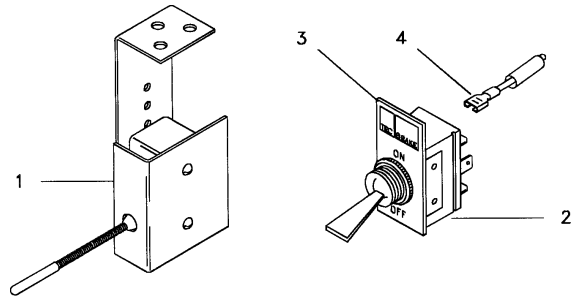


**HOUSING ASSEMBLY**

**ATTACHING PARTS**

**CONTROL GROUP**  
**Part No. TB940002**

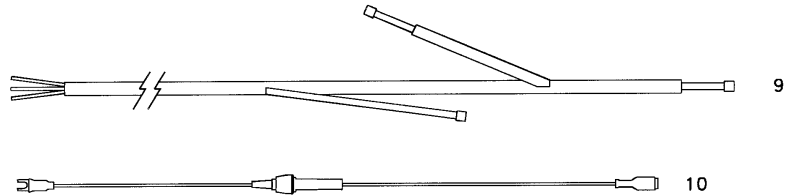
REF.	PART NO.	DESCRIPTION	QTY./ENG.
1	TJ012261	SWITCH ASSEMBLY, CLUTCH	1
	TB901216	SWITCH (BARE, FOR TJ012261)	1
2	TJ001304	SWITCH, TOGGLE, DASH	2
3	TJ001305	PLATE, ON-OFF	2
4	TJ003278	TERMINAL (FAST ON)	6
5	TJ001219	SWITCH ASSY., FUEL PUMP	1
	TJ018188	SWITCH (BARE, FOR TJ001219)	1
	TJ001534	DIODE	1
6	TJ001179	ARM, ACTUATOR	1
7	TJ001181	NUT, 3/8"	1
8	TJ001182	SCREW, 3/8"	1
9	TJ014196	HARNESS CAB/ENGINE	1
10	TJ015759	HARNESS, FUSE HOLDER	1
NI	TJ006833	TIE, CABLE	10
*	TB900001	HARNESS, GROUND	1



Indented part numbers are included in parts under which they are indented.

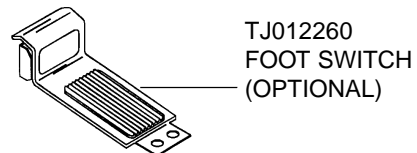
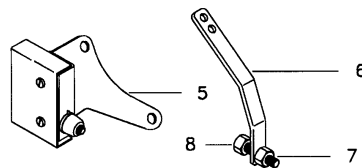
NI.- Not Illustrated.

\* For lighted dash switches only.



**MAJOR TUNE-UP KIT**  
**Part No. TJ017688**

PART No.	DESCRIPTION	QTY./KIT
TJ001030	WASHER, PLAIN	6
TJ001081	SEAL RING UPPER	3
TJ001082	SEAL RING, MIDDLE	3
TJ001083	SEAL RING, LOWER	3
TJ001492	CAP SCREW	12
TJ001519	SPRING, CTRL. VALVE, OUTER	6
TJ007500	SPRING, CTRL. VALVE, INNER	6
TJ017657	TERMINAL ASSY.	3
TJ014619	HARNESS, SOLENOID	3
TJ011841	SPRING, FLAT	6
TJ010180	SEAL RING	3
TJ011283	CONTROL VALVE	6
TJ013294	GASKET, BRAKE	3
TJ013756	GASKET, VALVE COVER	3
TJ014646	GASKET, CROSS-OVER	1
TJ014647	GASKET, CROSS-OVER (NONE)	1



**GASKET KIT**  
**Part No. TB940022**

PART No.	DESCRIPTION	QTY./KIT
TJ010180	SEAL RING	3
TJ013294	GASKET, BRAKE	3
TJ013756	GASKET, VALVE COVER	3
TJ014646	GASKET, CROSS- OVER	1

Cummins® and Celect® are registered trademarks of Cummins Engine Co. Inc.

Tec Brake Inc. P.O. Box 27822 Houston, Texas 77227

©1998 Tec Brake Bulletin No. TB990102A 11/23/98