



# Parts Manual

**Model T425A-STC Engine Brakes**

**For Cummins  
855 STC Series Engines**

TecBrake  
P.O. Box 27822  
Houston, Texas 77227

## TecBrake Engine Brake Model T425A-STC For Cummins 855 STC Series Engines

The TecBrake T425A-STC engine brake may be installed on Step Timing Control (STC) versions of the Cummins 855 series engine. It **can not** be installed on the Cummins 86NT MVT, 88NT, or 89NT model engines. Although the T425A-STC engine brake kit will fit on all 855 series engines (except the 88/89NT) it should only be installed on engines whose CPL numbers are included in the Application Chart.

**IMPORTANT: Information required to order engine brake kits.**

### ENGINE IDENTIFICATION:

Obtain the engine's CPL number and determine whether the engine has a STC or fixed timing fuel system. Refer to the TecBrake Application Guide which lists all Cummins engines on which the T425A-STC engine brake may be installed.

### ADJUSTING SCREW INSTALLED ON BRAKE HOUSING:

The T425A-STC engine brake kit (Part No. TB960023) has adjusting screw Part No. TB924917, color coded "green" already installed in the brake housings. This configuration is the only one required for all possible Cummins 86 NT STC applications regardless of turbocharger type.

### ADJUSTING SCREW

SCREW PART NO.	QTY/ HSG.	COLOR CODE	RECESS DEPTH
TB924917	2	GREEN	0.105"

### APPLICATION CHART

ADJUSTING SCREW			
CPL NO.	ENGINE MODEL	PART NO.	COLOR
806	NTCC365/400 STC	TB924917	GREEN
821	NTC444 BCIV STC	TB924917	GREEN
833	NTC365/400 NBCIV	TB924917	GREEN
903	NTC444 NBCIV	TB924917	GREEN
904	NTC365/400 NBCIV	TB924917	GREEN
1215	NTC444 NBCIV	TB924917	GREEN

### OPTIONAL FOOT SWITCH:

A foot switch may be used in place of the clutch switch. The clutch switch is included in the brake kit. The foot switch is not included and must be ordered separately.

## ENGINE BRAKE KIT CONTENTS AND OPTIONAL PARTS

PART NO.	DESCRIPTION	QTY./ENG.
TB960023	BRAKE KIT, COMPLETE	
TB940076	KIT, LITERATURE	1
TB940075	HOUSING ASSEMBLY	3
TB940002	CONTROL GROUP	1
TB940077	ATTACHING PARTS GROUP	1
TJ014582	STC INTERFACE GROUP	1
TJ012260	FOOT SWITCH (OPTIONAL)	1
TB900002	FEELER GAUGE (0.018")	

Indented part numbers are included in parts under which they are indented.

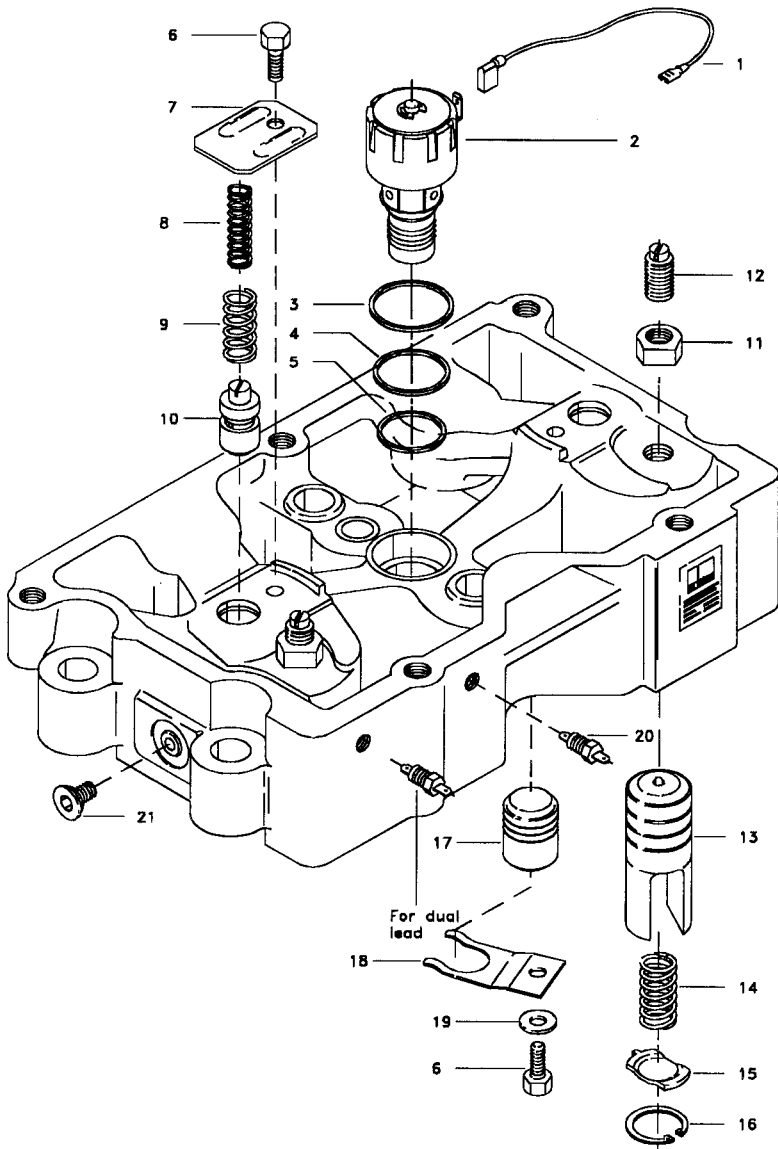
### MODEL T425A-STC HOUSING ASSEMBLY Part No. TB940075

REF.	PART NO.	DESCRIPTION	QTY/HSG.
1	TJ014619	HARNES, SOLENOID	1
2	TJ016440	SOLENOID VALVE (12 VOLT)	1
3	TJ001081	SEAL RING, UPPER	1
4	TJ001082	SEAL RING, MIDDLE	1
5	TJ001083	SEAL RING, LOWER	1
6	TJ001492	CAP SCREW	4
7	TJ004136	COVER, CONTROL VALVE	2
8	TJ007500	SPRING, CTRL. VALVE, INNER	2
9	TJ001519	SPRING, CTRL. VALVE, OUTER	2
10	TJ011283	CONTROL VALVE	2
11	TJ009353	NUT, JAM	2
12	TB924917	ADJUSTING SCREW (GREEN)	2
13	TB924864	SLAVE PISTON ASSEMBLY	2
14	TJ014867	SPRING, SLAVE PISTON	2
15	TJ014849	RETAINER, SPRING	2
16	TJ001023	RING, RETAINER	2
17	TJ016634	MASTER PISTON	2
18	TJ011841	SPRING, FLAT	2
19	TJ001030	WASHER, PLAIN	2
20	TJ002299	TERMINAL ASSEMBLY	1
21	TJ014506	HEX PLUG W/O-RING	1

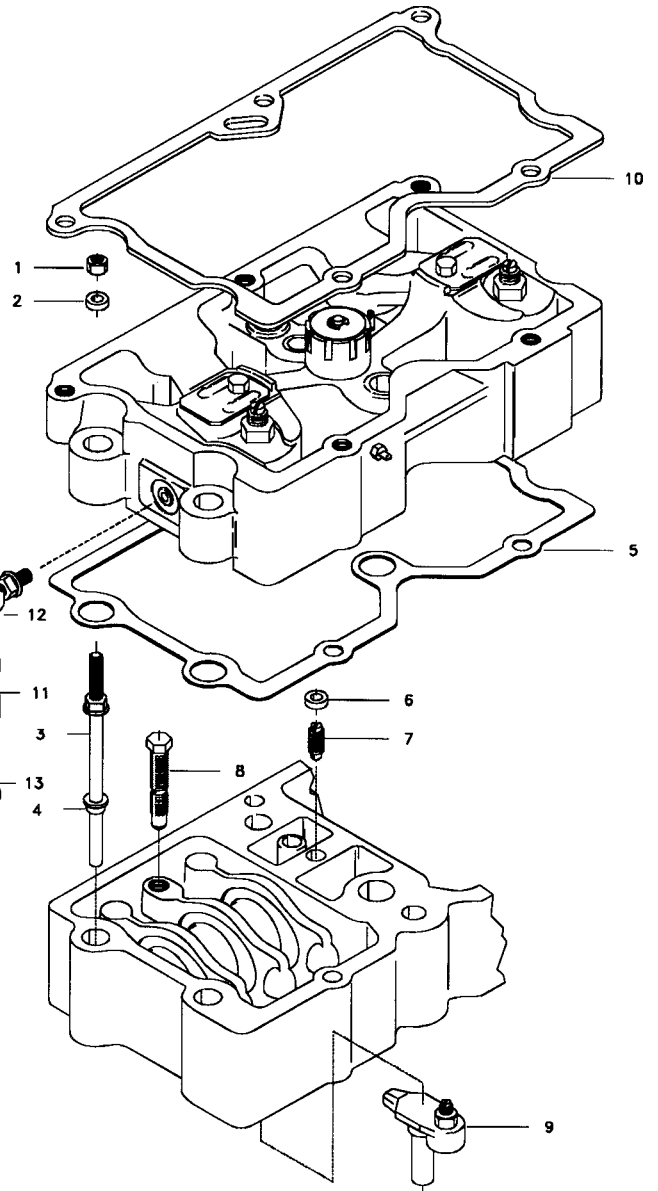
**ATTACHING PARTS GROUP**  
Part No. TB940077

**REF. PART NO. DESCRIPTION**  
**QTY/ENG.**

1	TJ001094	NUT	18
2	TJ001234	SPACER	6
3	TJ001199	STUD (7")	12
3	TJ001232	STUD (8 1/8")	6
4	TJ002514	WASHER, BEARING	18
5	TJ013294	GASKET, BRAKE	3
6	TJ010180	SEAL RING	3
7	TJ002969	SCREW, OIL SUPPLY	3
8	TJ012292	SCREW INJECTOR ADJ. (5/8")	6
9	TJ017548	CROSSHEAD ASSEMBLY	6
10	TJ013756	GASKET, VALVE COVER	3



**HOUSING ASSEMBLY**



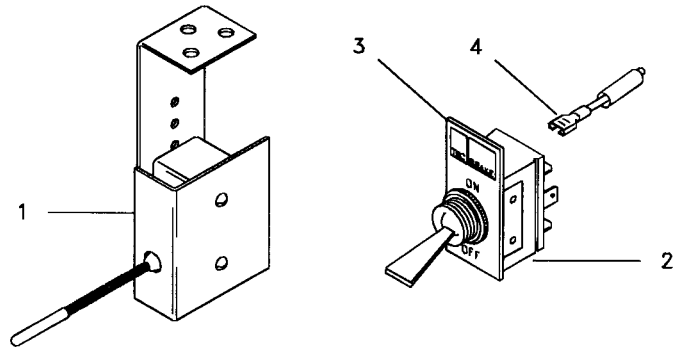
**ATTACHING PARTS**

**STC INTERFACE GROUP**  
Part No. TJ014582

REF. PART NO.	DESCRIPTION	QTY/ENG.
11	TJ014545 HOSE ASSEMBLY	1
12	TJ014542 ADAPTOR	1
13	TJ014565 CAP, NUT	1

**CONTROL GROUP**  
**Part No. TB940002**

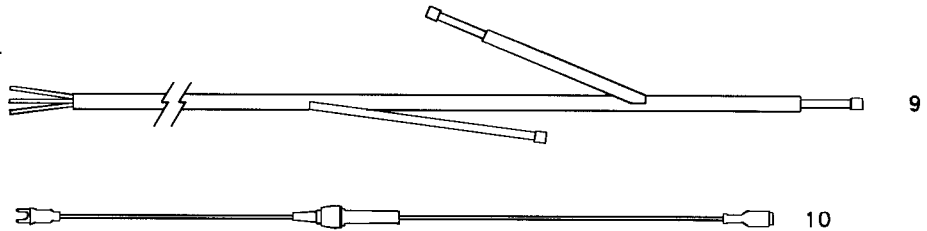
REF. PART NO.	DESCRIPTION	QTY./ENG.
1	TJ012261 SWITCH ASSEMBLY, CLUTCH	1
	TB901216 SWITCH (BARE, FOR TJ012261)	1
2	TJ001304 SWITCH, TOGGLE, DASH	2
3	TJ001305 PLATE, ON-OFF	2
4	TJ003278 TERMINAL (FAST ON)	6
5	TJ001219 SWITCH ASSY., FUEL PUMP	1
	TJ018188 SWITCH (BARE, FOR TJ001219)	1
	TJ001534 DIODE	1
6	TJ001179 ARM, ACTUATOR	1
7	TJ001181 NUT, 3/8"	1
8	TJ001182 SCREW, 3/8"	1
9	TJ014196 HARNESS CAB/ENGINE	1
10	TJ015759 HARNESS, FUSE HOLDER	1
NI	TJ006833 TIE, CABLE	10
*	TB900001 HARNESS, GROUND	1



Indented part numbers are included in parts under which they are indented.

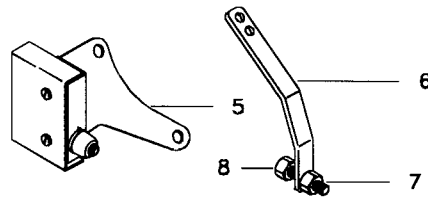
NI.- Not Illustrated.

\* For lighted dash switches only.



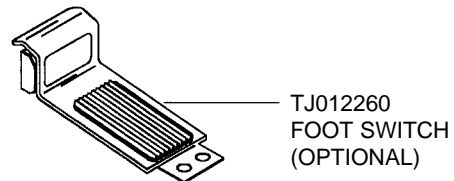
**MAJOR TUNE-UP KIT**  
**Part No. TJ017688**

PART No.	DESCRIPTION	QTY./KIT
TJ001030	WASHER, PLAIN	6
TJ001081	SEAL RING UPPER	3
TJ001082	SEAL RING, MIDDLE	3
TJ001083	SEAL RING, LOWER	3
TJ001492	CAP SCREW	12
TJ001519	SPRING, CTRL. VALVE, OUTER	6
TJ007500	SPRING, CTRL. VALVE, INNER	6
TJ017657	TERMINAL ASSY.	3
TJ014619	HARNESS, SOLENOID	3
TJ011841	SPRING, FLAT	6
TJ010180	SEAL RING	3
TJ011283	CONTROL VALVE	6
TJ013294	GASKET, BRAKE	3
TJ013756	GASKET, VALVE COVER	3
TJ014646	GASKET, CROSS-OVER	1
TJ014647	GASKET, CROSS-OVER (NONE)	1



**GASKET KIT**  
**Part No. TJ013898**

PART No.	DESCRIPTION	QTY./KIT
TJ010180	SEAL RING	3
TJ013294	GASKET, BRAKE	3
TJ013756	GASKET, VALVE COVER	3
TJ014646	GASKET, CROSS- OVER	1



Cummins®, STC®, Step Timing Control® and Celect® are registered trademarks of Cummins Engine Co. Inc.